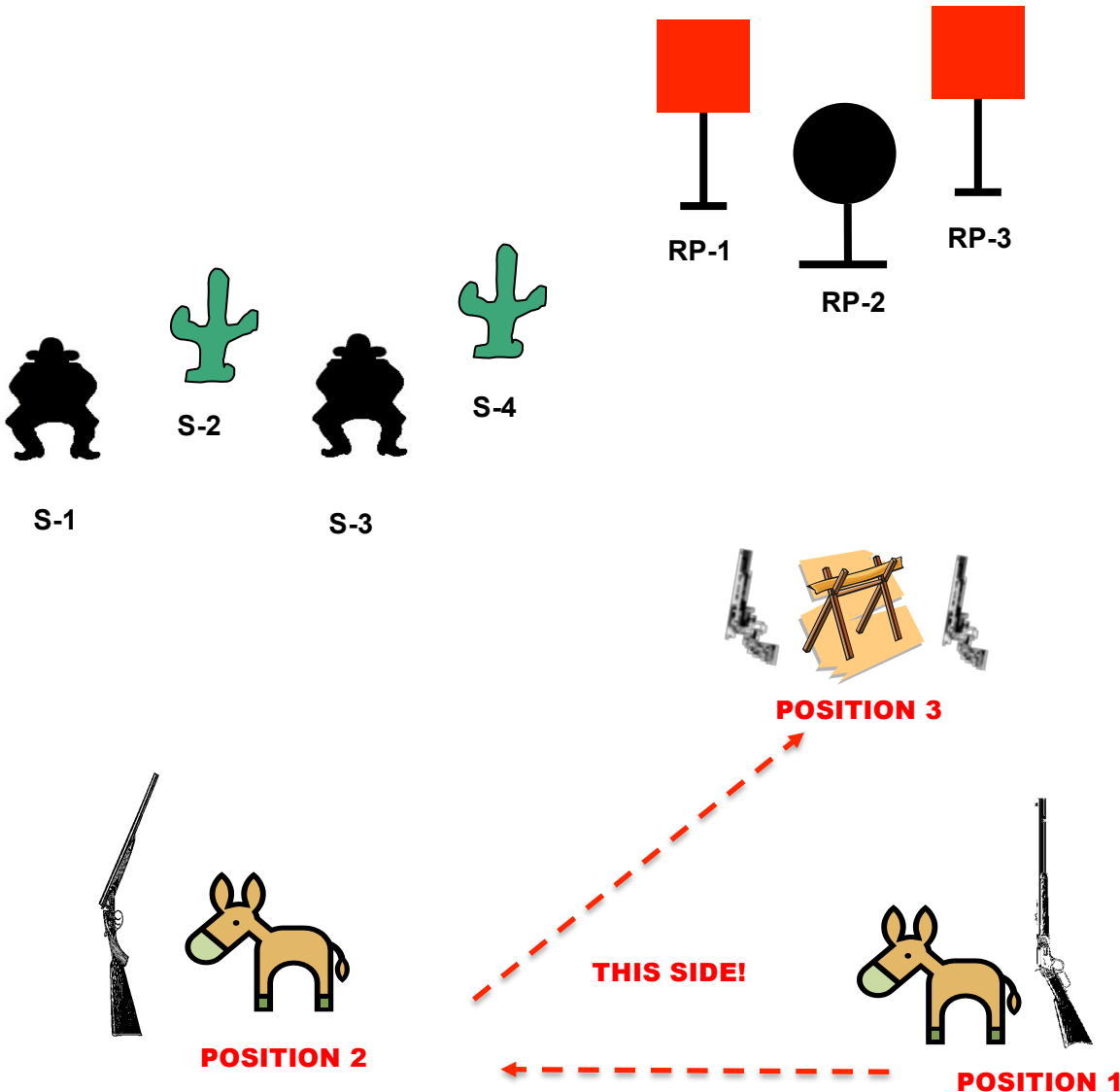


# STAGE 1: April 2019



**DAGNABIT!**



## **STAGING:**

**BOTH REVOLVERS LOADED WITH 5 ROUNDS EACH & HOLSTERED, RIFLE LOADED WITH 10 ROUNDS IN HANDS AT POSITION 1, SHOTGUN OPEN AND EMPTY STAGED SAFELY ANYWHERE.**

## **HOW TO SHOOT THE STAGE:**

**SHOOTER STARTS STANDING UPRIGHT AT POSITION 1 WITH YOUR RIFLE IN HANDS, SHOOTER INDICATES READY BY SAYING: *"THE DUKE IS MY HERO!"***

**AT THE BEEP WITH YOUR RIFLE ENGAGE THE THREE RP TARGETS IN A JOHN WAYNE SWEEP (1-2-3-3-2-1-1-2-3-3) STARTING ON EITHER END, MAKE RIFLE SAFE WITH MUZZLE POINTING TO A SIDE BERM.**

**FROM POSITION 2, WITH SHOTGUN ENGAGE S-1-S4 ANY ORDER UNTIL DOWN. MAKE SHOTGUN SAFE WITH MUZZLE POINTING TO LEFT BERM. FROM POSITION 3 WITH YOUR REVOLVERS ENGAGE THE RP TARGETS AS PER THE RIFLE INSTRUCTIONS.**

## **END OF STAGE**

***NOTE: ONE FOOT MUST BE BEHIND THE PROP WHILE ENGAGING TARGETS***  
***GUN ORDER: RIFLE, SHOTGUN, REVOLVERS***

**REVOLVERS (10)**

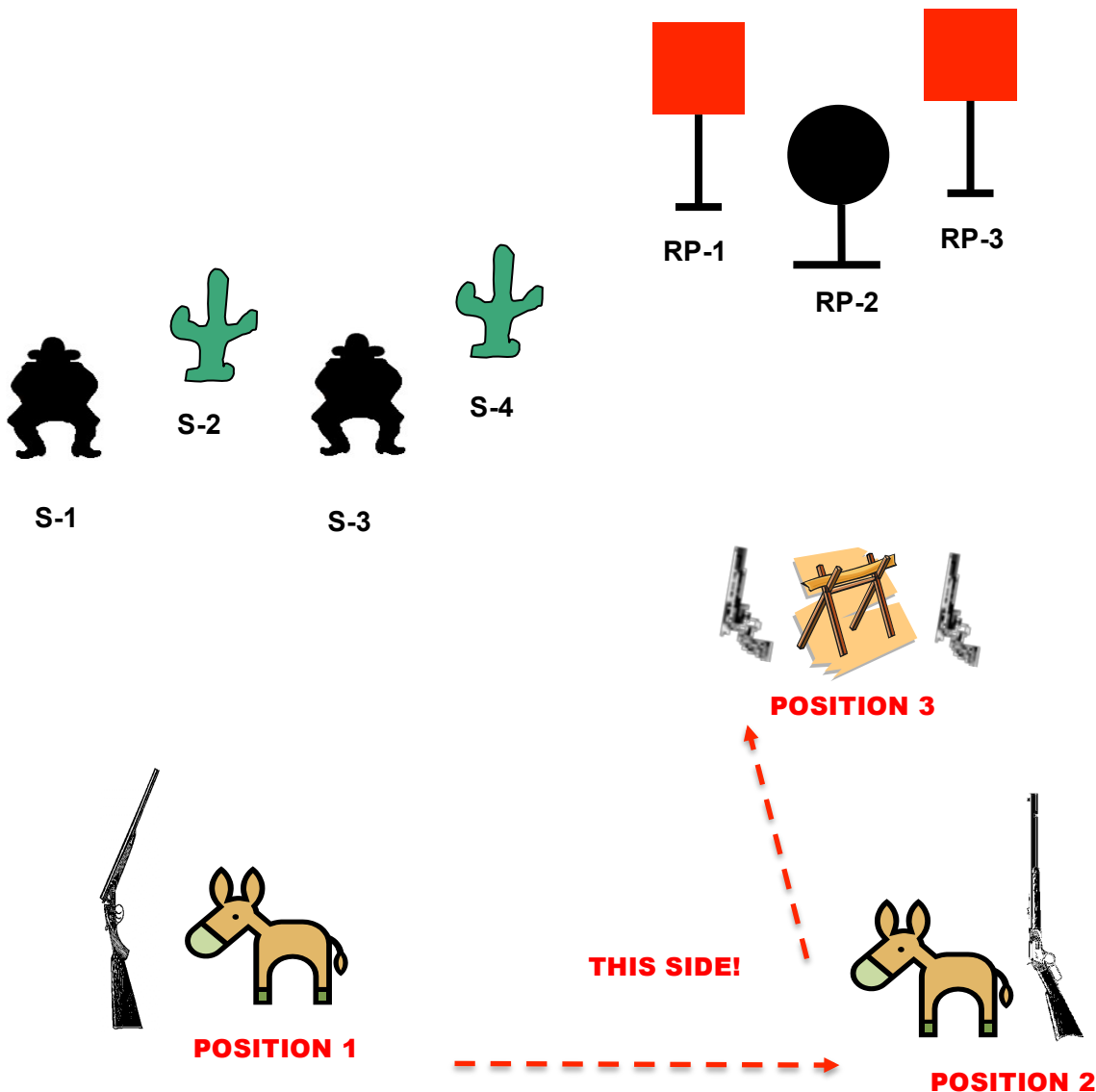
**RIFLE (10)**

**SHOTGUN (4+)**

# STAGE 2: April 2019



**DAGNABIT!**



## **STAGING:**

**BOTH REVOLVERS LOADED WITH 5 ROUNDS EACH & HOLSTERED, RIFLE LOADED WITH 10 ROUNDS STAGED AT POSITION 2, SHOTGUN OPEN AND EMPTY STAGED AT POSITION 1.**

## **HOW TO SHOOT THE STAGE:**

**SHOOTER STARTS STANDING UPRIGHT AT POSITION 1 WITH YOUR HANDS BEHIND YOUR BACK, SHOOTER INDICATES READY BY SAYING: "HOW ABOUT IT PILGRIM?" AT THE BEEP WITH YOUR SHOTGUN ENGAGE THE 2 COWBOY KNOCKDOWNS AND THEN THE 2 CACTI KNOCKDOWNS IN THAT ORDER. MAKE SHOTGUN SAFE WITH MUZZLE POINTING TO A SIDE BERM.**

**FROM POSITION 2, WITH RIFLE ENGAGE RP1-RP3 IN A 3-2-3-2 NEVADA SWEEP STARTING ON EITHER OUTSIDE TARGET. FROM POSITION 3 WITH YOUR REVOLVERS ENGAGE THE RP TARGETS AS PER THE RIFLE INSTRUCTIONS.**

**END OF STAGE**

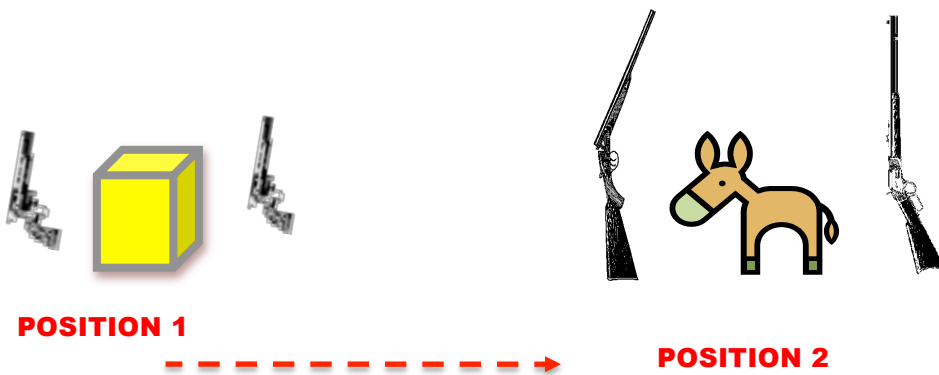
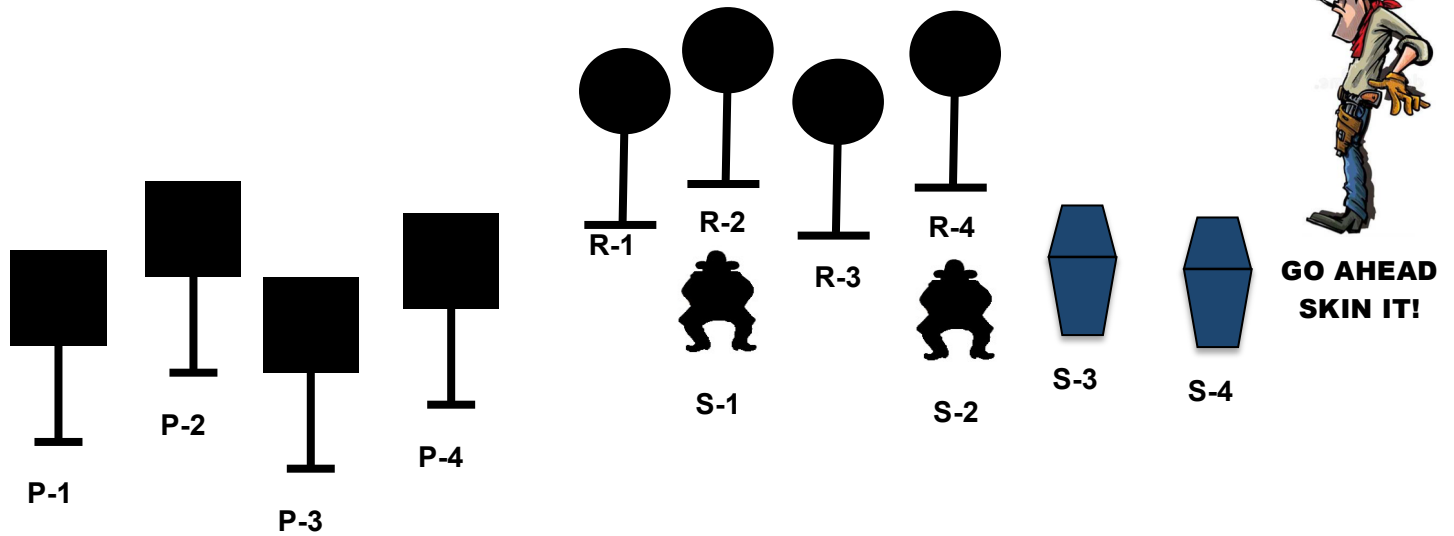
**NOTE: ONE FOOT MUST BE BEHIND THE PROP WHILE ENGAGING TARGETS  
GUN ORDER: SHOTGUN, RIFLE, REVOLVERS**

**REVOLVERS (10)**

**RIFLE (10)**

**SHOTGUN (4+)**

# STAGE 3: April 2019



## STAGING:

**BOTH REVOLVERS LOADED WITH 5 ROUNDS EACH, HOLSTERED, RIFLE LOADED WITH 10 ROUNDS & OPEN AND EMPTY SHOTGUN STAGED AT POSITION 2.**

## HOW TO SHOOT THE STAGE:

**SHOOTER STARTS STANDING UPRIGHT AT POSITION 1 WITH HANDS ON HAT SHOOTER INDICATES READY BY SAYING: "HOW WOULD JOHN WAYNE SHOOT THIS?"**

**AT THE BEEP WITH REVOLVER(S), ENGAGE P1-P4; THE ODD NUMBERED TARGETS THREE TIMES EACH AND THE EVEN NUMBERED TARGETS TWICE EACH ANY ORDER, (IT'S A ROUND COUNT) SHOOTER MAY START ON ANY TARGET, HOLSTER. MOVE TO POSITION 2 AND REPEAT THE REVOLVER INSTRUCTIONS ON R1-R4. WITH SHOTGUN ENGAGE THE 4 SHOTGUN KNOCKDOWNS ANY ORDER UNTIL DOWN.**

**END OF STAGE.**

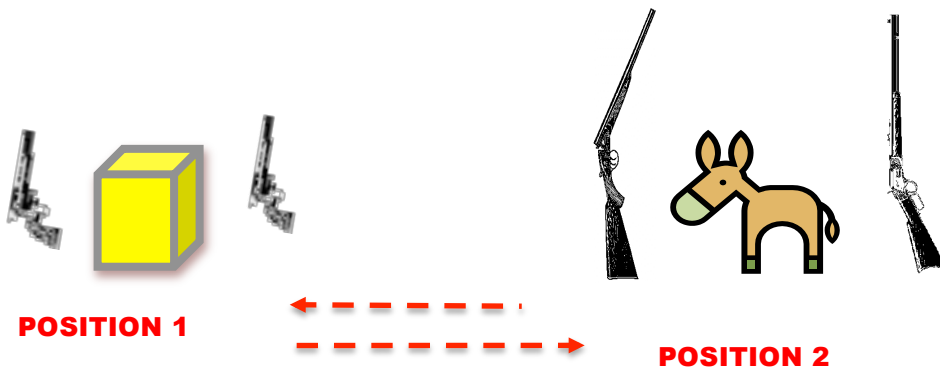
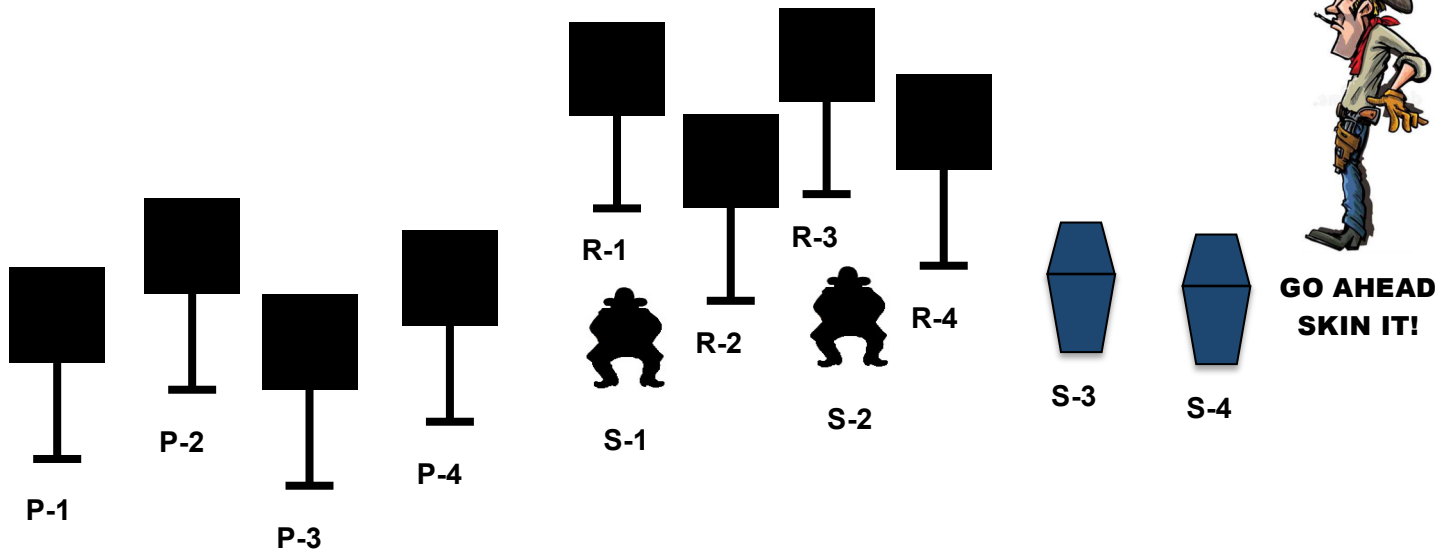
**NOTE: ONE FOOT MUST BE BEHIND THE PROP WHILE ENGAGING TARGETS  
GUN ORDER: REVOLVERS, RIFLE, SHOTGUN**

**REVOLVERS (10)**

**RIFLE (10)**

**SHOTGUN (4+)**

## STAGE 4: April 2019



### STAGING:

**BOTH REVOLVERS LOADED WITH 5 ROUNDS EACH, HOLSTERED, RIFLE LOADED WITH 10 ROUNDS & OPEN AND EMPTY SHOTGUN STAGED AT POSITION 2.**

### HOW TO SHOOT THE STAGE:

**SHOOTER STARTS STANDING UPRIGHT AT SASS DEFAULT, AT EITHER POSITION, STAGE MAY BE ENGAGED RIGHT TO LEFT OR LEFT TO RIGHT, RIFLE MAY NOT BE LAST. AT POSITION 1**

**SHOOTER INDICATES READY BY SAYING: *"HEY DUKE, I GOT THIS ONE!"***

**AT THE BEEP IF STARTING WITH REVOLVERS, SWEEP P1-P4 IN A **REGRESSIVE** SWEEP, (4-3-2-1)**

**STARTING ON EITHER END TARGET, HOLSTER. FROM POSITION 2 WITH RIFLE REPEAT THE REVOLVER INSTRUCTIONS ON R1-R4. WITH SHOTGUN ENGAGE THE 4 SHOTGUN KNOCKDOWNS ANY ORDER UNTIL DOWN.**

### END OF STAGE

***NOTE: ONE FOOT MUST BE BEHIND THE PROP WHILE ENGAGING TARGETS***  
***GUN ORDER: ANY, RIFLE MAY NOT BE LAST***

**REVOLVERS (10)**

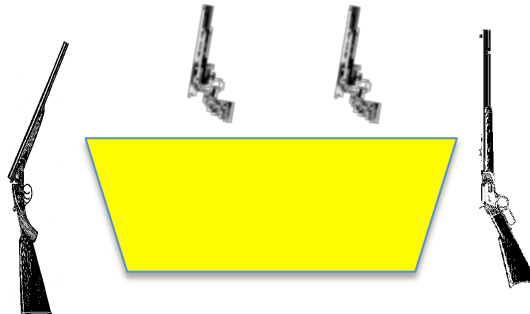
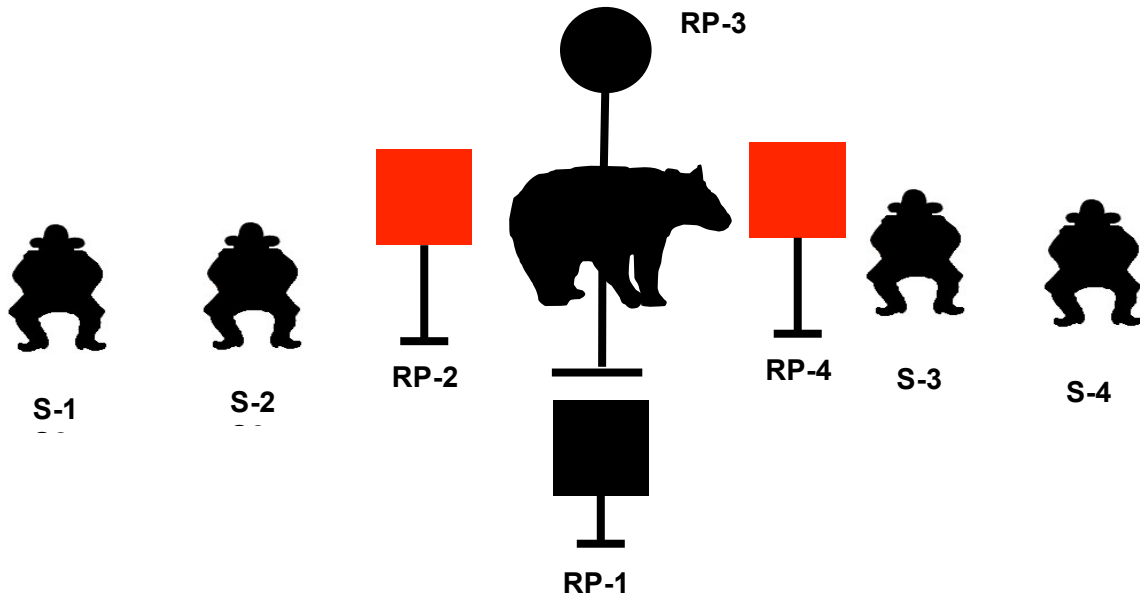
**RIFLE (10)**

**SHOTGUN (4+)**

# STAGE 5: April 2019



**DRAW!**



## **STAGING OF FIREARMS:**

**RIFLE LOADED WITH 10 ROUNDS & OPEN EMPTY SHOTGUN STAGED AT THE WATER TROUGH, REVOLVERS LOADED WITH 5 ROUNDS EACH & HOLSTERED. NOTE: GUNS MAY BE SHOT IN ANY ORDER, BUT RIFLE MAY NOT BE LAST!**

## **HOW TO SHOOT THE STAGE:**

**SHOOTER STARTS STANDING AT WATER TROUGH, SASS DEFAULT, SHOOTER INDICATES READY BY SAYING: "NOT HARDLY!"**

**AT THE BEEP, WITH RIFLE, ENGAGE THE BEAR THREE TIMES THEN RP2-RP4 TWICE EACH, THEN PLACE THE 10 SHOT ON THE BEAR, MAKE RIFLE SAFE. WITH SHOTGUN, ENGAGE THE 2 COWBOY KNOCKDOWNS S1 -S4 ANY ORDER, MAKE SHOTGUN SAFE. WITH REVOLVERS ENGAGE THE BEAR AND RP1, RP2 & RP4 AS PER THE RIFLE INSTRUCTIONS.**

**END OF STAGE**

**NOTE: ONE FOOT MUST BE BEHIND THE PROP WHILE ENGAGING TARGETS**

**GUN ORDER: ANY, RIFLE MAY NOT BE LAST!**

**REVOLVERS (10)**

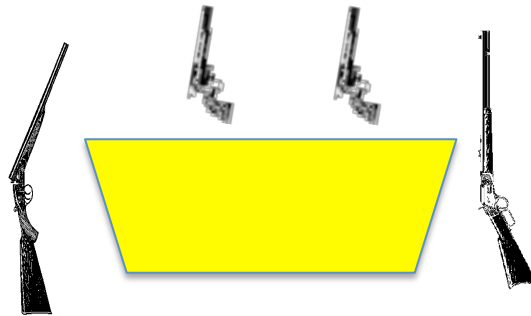
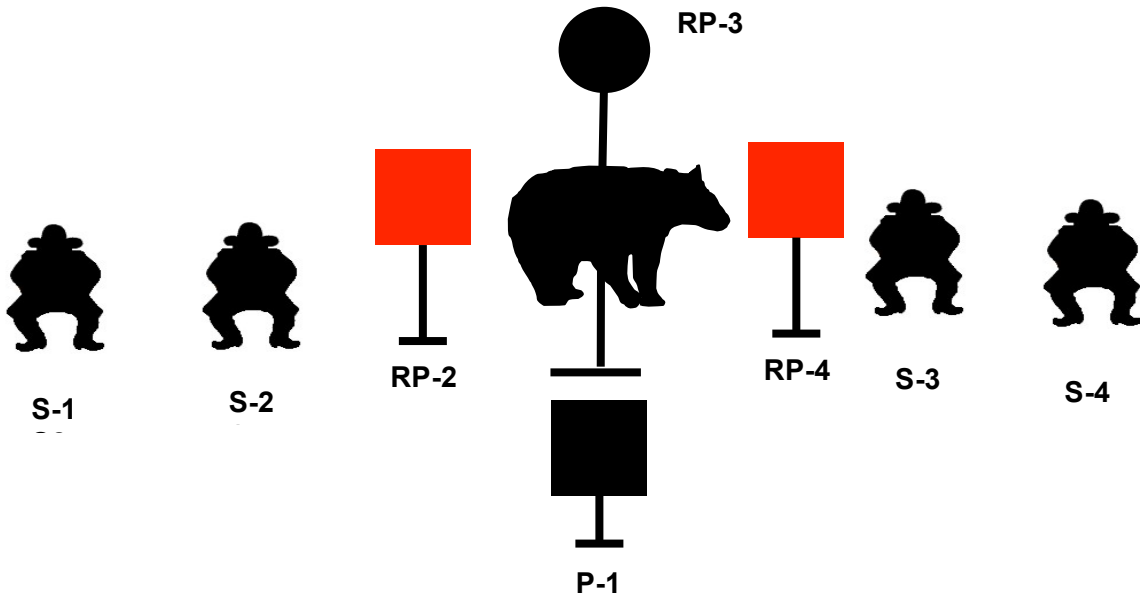
**RIFLE (10)**

**SHOTGUN (4+)**

# STAGE 6: April 2019



**DRAW!**



## **STAGING OF FIREARMS:**

**RIFLE LOADED WITH 10 ROUNDS & OPEN EMPTY SHOTGUN STAGED AT THE WATER TROUGH, REVOLVERS LOADED WITH 5 ROUNDS EACH.**

## **HOW TO SHOOT THE STAGE:**

**SHOOTER STARTS STANDING AT WATER TROUGH, WITH REVOLVER(S) IN HAND(S) SHOOTER INDICATES READY BY SAYING: "MISSISSIPPI!"**

**AT THE BEEP, WITH REVOLVERS ALTERNATE ON P-1 & RP2 FOR 4 ROUNDS, PLACE THE 5<sup>TH</sup> ROUND ON THE BEAR, REPEAT INSTUCTIONS WITH THE 2<sup>ND</sup> 5 ROUNDS USING P-1 & RP-4, PLACE THE 10<sup>TH</sup> ROUND ON THE BEAR, HOLSTER. WITH RIFLE ALTERNATE ON RP-2 & RP-3 FOR 4 ROUNDS, PLACE THE 5<sup>TH</sup> ROUND ON THE BEAR. WITH 2<sup>ND</sup> 5 ROUNDS REPEAT THE PREVIOUS INSTRUCTIONS USING RP-4 & RP-3, PLACING THE 10th ROUND ON THE BEAR. WITH SHOTGUN ENGAGE S-1-S4 UNTIL DOWN.**

**END OF STAGE**

**NOTE: ONE FOOT MUST BE BEHIND THE PROP WHILE ENGAGING TARGETS  
GUN ORDER: REVOLVERS, RIFLE, SHOTGUN**

**REVOLVERS (10)**

**RIFLE (10)**

**SHOTGUN (4+)**

# *Target and Prop Requirements*

## *WRG, April 2019*

### **Stages 1 & 2**

Rifle & Revolver Targets:  
2 Squares, 1 Circle

Stands:  
3

Props:  
2 Gun Horses, Saw Horse

Shotgun Targets:  
2 Cowboy Knockdowns  
2 Cacti

### **Stages 3 & 4**

Rifle & Revolver Targets:  
4 Squares, 4 Circles

Stands:  
8

Props:  
Gun Horse, Hay Bale

Shotgun Targets:  
2 Coffin Lid Knockdowns  
2 Cowboy Knockdowns

### **Stages 5 & 6**

Rifle & Revolver Targets:  
3 Squares, 1 Circle, 1 Bear

Stands:  
5

Props:  
Water Trough

Shotgun Targets:  
4 Cowboy Knockdowns

### **Totals**

**Shotgun Targets:** 8 Cowboys, 2 Cacti, 2 Coffin Lids

**Props:** 3 Gun Horses, 1 Hay Bale, Water Trough